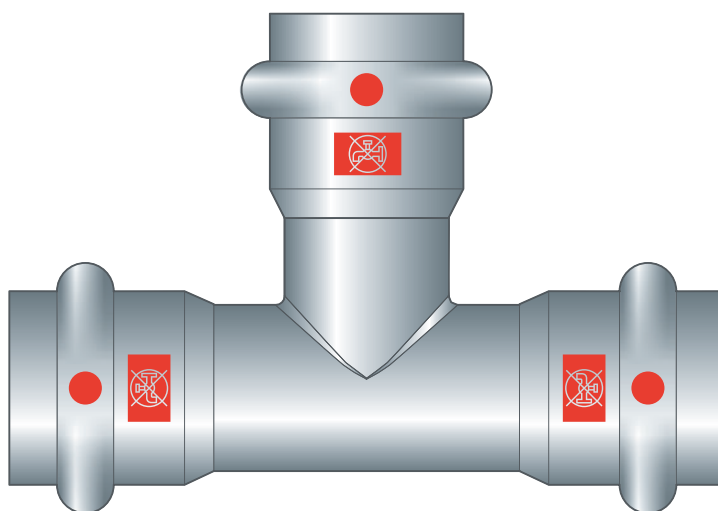
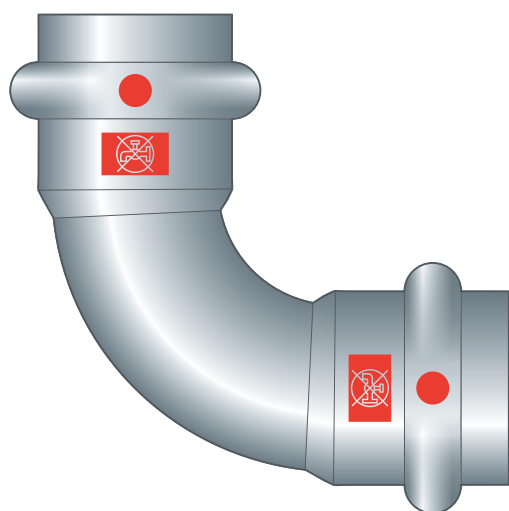
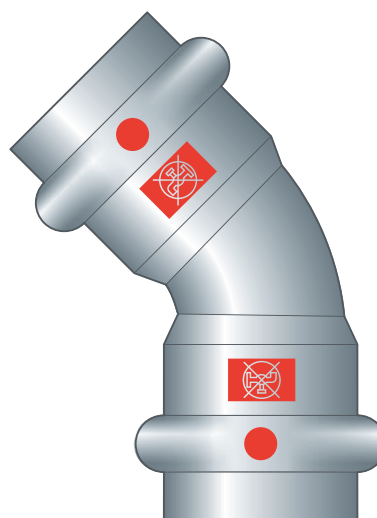
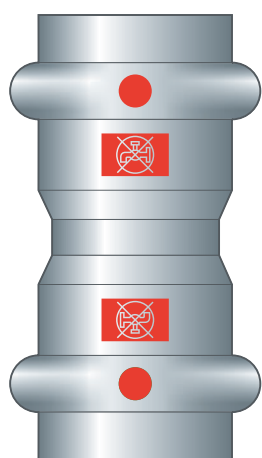


# Instructions for Use

## Prestabo



Press connector system made of non-alloy steel for non-alloy steel pipes

System  
Prestabo

Year built (from)  
06/2006

**viega**

# Table of contents

<b>1</b>	<b>About these instructions for use</b>	<b>3</b>
	1.1 Target groups	3
	1.2 Labelling of notes	3
	1.3 About this translated version	4
<b>2</b>	<b>Product information</b>	<b>5</b>
	2.1 Standards and regulations	5
	2.2 Intended use	7
	2.2.1 Areas of application	7
	2.2.2 Media	8
	2.3 Product description	8
	2.3.1 Overview	8
	2.3.2 Pipes	9
	2.3.3 Press connectors	12
	2.3.4 Sealing elements	12
	2.3.5 Markings on components	14
	2.4 Information for use	16
	2.4.1 Corrosion	16
<b>3</b>	<b>Handling</b>	<b>19</b>
	3.1 Transport	19
	3.2 Storage	19
	3.3 Assembly information	19
	3.3.1 Mounting instructions	19
	3.3.2 Potential equalisation	20
	3.3.3 Permitted exchange of sealing elements	20
	3.3.4 Space requirements and intervals	21
	3.3.5 Required tools	23
	3.4 Assembly	24
	3.4.1 Replacing the sealing element	24
	3.4.2 Bending pipes	25
	3.4.3 Shortening the pipes	25
	3.4.4 Stripping pipes	26
	3.4.5 Deburring the pipes	26
	3.4.6 Pressing the connection	27
	3.4.7 Flange connections	28
	3.4.8 Leakage test	34
	3.5 Disposal	35

# 1 About these instructions for use

Trade mark rights exist for this document; for further information, go to [viega.com/legal](http://viega.com/legal).

## 1.1 Target groups

The information in this manual is directed at heating and sanitary professionals and trained personnel.

Individuals without the abovementioned training or qualification are not permitted to mount, install and, if required, maintain this product. This restriction does not extend to possible operating instructions.

The installation of Viega products must take place in accordance with the general rules of engineering and the Viega instructions for use.

## 1.2 Labelling of notes

Warning and advisory texts are set aside from the remainder of the text and are labelled with the relevant pictographs.



### **DANGER!**

This symbol warns of possible life-threatening injury.



### **WARNING!**

This symbol warns of possible serious injury.



### **CAUTION!**

This symbol warns of possible injury.



### **NOTICE!**

This symbol warns of possible damage to property.



This symbol gives additional information and hints.

### 1.3 About this translated version

This instruction for use contains important information about the choice of product or system, assembly and commissioning as well as intended use and, if required, maintenance measures. The information about the products, their properties and application technology are based on the current standards in Europe (e.g. EN) and/or in Germany (e.g. DIN/DVGW).

Some passages in the text may refer to technical codes in Europe/Germany. These should serve as recommendations in the absence of corresponding national regulations. The relevant national laws, standards, regulations, directives and other technical provisions take priority over the German/European directives specified in this manual: The information herein is not binding for other countries and regions; as said above, they should be understood as a recommendation.

## 2 Product information

### 2.1 Standards and regulations

The following standards and regulations apply to Germany / Europe and are provided as a support feature.

#### Regulations from section: Application areas

Scope / Notice	Regulations applicable in Germany
Planning, setup, operation and maintenance of fire extinguishing systems	DIN 14462

#### Regulations from section: Media

Scope / Notice	Regulations applicable in Germany
Suitability for low-salt / saline potable water	VDI-Richtlinie 2035, Table 1
Suitability for heating water for pump hot water heating systems	VDI-Richtlinie 2035, Sheet 1 and Sheet 2

#### Regulations from section: Sealing elements

Scope / Notice	Regulations applicable in Germany
Area of application of the EPDM sealing element ■ Heating	DIN EN 12828

**Regulations from section: Corrosion**

Scope / Notice	Regulations applicable in Germany
Entry of oxygen during re-filling of a system	DIN EN 14868
Oxygen content in low-salt / saline water	VDI-Richtlinie 2035 Table 1
Complete external corrosion protection for application in cooling circuits	DIN 50929
Complete external corrosion protection for application in cooling circuits	AGI-Arbeitsblatt Q 151

**Regulations from section: Storage**

Scope / Notice	Regulations applicable in Germany
Requirements for material storage	DIN EN 806-4, Chapter 4.2

**Regulations from section: Establishing a flange connection**

Scope / Notice	Regulations applicable in Germany
Qualification of personnel for the assembly of flange connections	VDI-Richtlinie 2290
Determination of tightening torques	DIN EN 1591-1

**Regulations from section: Leakage test**

Scope / Notice	Regulations applicable in Germany
Test on a system that is finished but not yet covered	DIN EN 806-4
Leakage test for water installations	ZVSHK-Merkblatt: "Dichtheitsprüfungen von Trinkwasserinstallationen mit Druckluft, Inertgas oder Wasser"
Requirements for filling and top-up water	VDI 2035

## 2.2 Intended use



Agree the use of the system for areas of application and media other than those described with Viega.

### 2.2.1 Areas of application

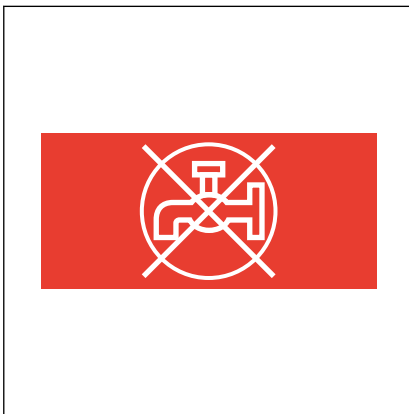


Fig. 1: "Non-potable water"

The system is intended for use in industrial and heating systems. The system is not suitable for use in potable water installations. For this reason, pipes and press connectors are labelled with a red symbol "Not potable water".

The press connector system is designed for nominal pressure PN 16.

Use is possible in the following areas among others:

- Industrial and heating systems
- Wet sprinkler systems (with hot dip galvanised pipe)
- Wet fire extinguishing systems, see ↗ *'Regulations from section: Application areas' on page 5*
  - Exclusively with hot dip galvanised pipe
- Solar installations with flat collectors
- Solar installations with vacuum collectors (only with FKM sealing element)
- Compressed air systems
- District heat supply systems in secondary circuits
- Cooling water pipelines (closed circuit)
- Vacuum systems (on request)
- Systems for technical gases (on request)
- Painting systems (only with labs-free components)

For information on areas of application of the sealing elements, see ↗ *Chapter 2.3.4 'Sealing elements' on page 12.*



The system is intended for installation in warm and dry atmospheres. The pipes must not be subjected to constant dampness. Non-compliance may result in corrosion of the system, see ↗ *Chapter 2.4.1 'Corrosion' on page 16.*

## 2.2.2 Media

The system can be employed in closed water circuits, into which no oxygen can enter during operation.

The following limits are valid for the oxygen content, see ↗ 'Regulations from section: Media' on page 5:

- Low-salt water  $\leq 0.1$  mg/l
- Saline water  $< 0.02$  mg/l

The system is also suitable for the following media, amongst others:

For the applicable directives, see ↗ 'Regulations from section: Media' on page 5.

- Heating water for closed pump hot water heating systems
- Compressed air (dry) in compliance with the specification of the sealing elements being used
  - EPDM at oil concentration  $< 25$  mg/m<sup>3</sup>
  - FKM at oil concentration  $\geq 25$  mg/m<sup>3</sup>
- Anti-freeze, cooling brines up to a concentration of 50 %



### NOTICE!

Do not use hot dip galvanised pipes for cooling water with additives (e.g. anti-freeze etc.). Otherwise, the zinc layer in the internal pipe may dissolve and unit components may get clogged.

## 2.3 Product description

### 2.3.1 Overview

The piping system consists of press connectors in connection with non-alloy steel pipes and the corresponding press tools.

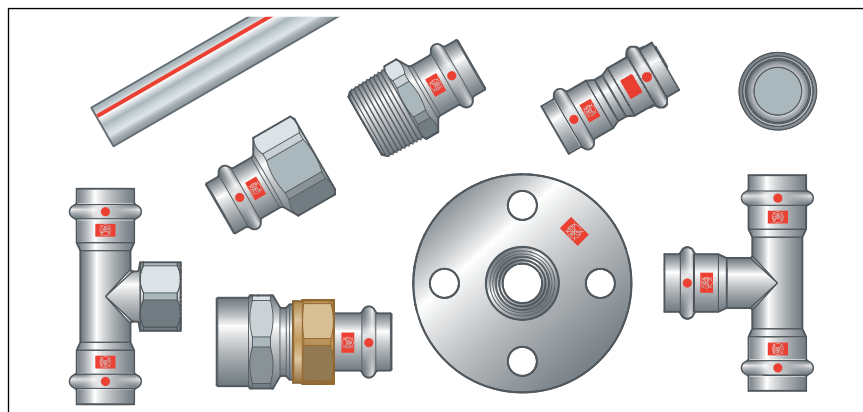


Fig. 2: Prestabo product selection

The system components are available in the following dimensions:  
d 12 / 15 / 18 / 22 / 28 / 35 / 42 / 54.



## 2.3.2 Pipes

Prestabo pipes are available in a length of 6 m.

The following pipes are available from the system described:

Type of pipe	Prestabo pipe	Prestabo pipe, coated (1 mm PP)	Prestabo pipe for special applications
Area of application	Industrial and heating systems	Industrial and heating systems in wall-mounted installations	Sprinkler <sup>1)</sup> and compressed air systems
d [mm]	12 / 15 / 18 / 22 / 28 / 35 / 42 / 54	15 / 18 / 22 / 28 / 35 / 42 / 54	15 <sup>1)</sup> / 18 <sup>1)</sup> / 22 / 28 / 35 / 42 / 54
Type of galvanisation	externally galvanised	externally galvanised	hot dip galvanised inside and outside
Thickness of the zinc plating	8–15 µm	8–15 µm	15–27 µm
Protective cap	Red	Red	White

<sup>1)</sup> Pipes with diameters of 15 mm and 18 mm may not be installed in sprinkler units, as they are not VdS certified.

**Coated Prestabo pipes** are coated with a 1 mm thick polypropylene layer (PP) and therefore especially suitable for wall-mounted installations.



Hot dip galvanised pipes are not suitable for heating and cooling systems.

### Pipe key data blank Prestabo pipe

d x s [mm]	Volume per metre of pipe [l/m]	Pipe weight [kg/m]
12 x 1.2	0.07	0.32
15 x 1.2	0.13	0.41
18 x 1.2	0.19	0.50
22 x 1.5	0.28	0.80
28 x 1.5	0.49	1.00
35 x 1.5	0.80	1.20
42 x 1.5	1.19	1.50
54 x 1.5	2.04	2.00

### Pipe key data PP coated Prestabo pipe

d x s [mm] <sup>1)</sup>	Volume per metre of pipe [l/m]	Pipe weight [kg/m]
15 x 1.2	0.13	0.45
18 x 1.2	0.19	0.60
22 x 1.5	0.28	0.82
28 x 1.5	0.49	1.10
35 x 1.5	0.80	1.30
42 x 1.5	1.19	1.60
54 x 1.5	2.04	2.10

<sup>1)</sup> Dimensions without 1.0 mm PP coating

### Laying and fixing pipes

Only pipe clamps with chloride-free sound insulating inlays should be used to secure the pipes.

Observe the general rules of fixing technology:

- Do not use fixed pipelines as a support for other pipelines and components.
- Do not use pipe hooks.
- Observe distance to press connectors.
- Observe the expansion direction: Plan fixed and gliding points.

Make sure to affix the pipelines in such a way as to de-couple them from the installation body, so that they cannot transfer any structure-borne sound, resulting from thermal expansion or possible pressure surges, onto the installation body or other components.

Observe the following fixing distances:

#### Distance between the pipe clamps

d [mm]	Fixing distance between the pipe clamps [m]
12.0	1.25
15.0	1.25
18.0	1.50
22.0	2.00
28.0	2.25
35.0	2.75
42.0	3.00
54.0	3.50

## Length expansion

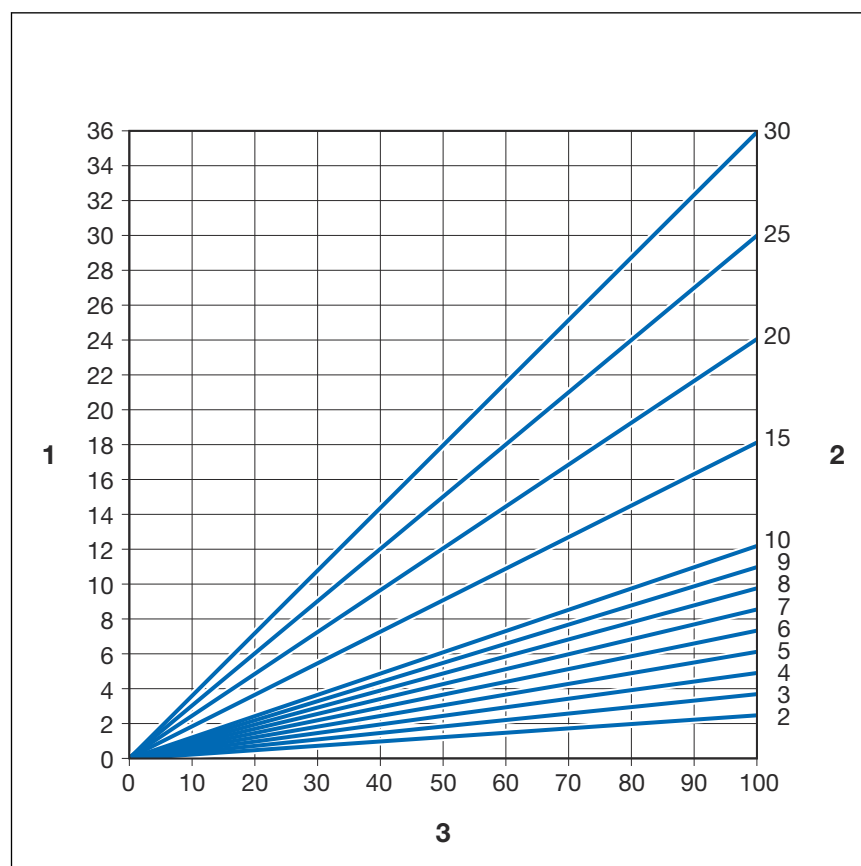
Pipelines expand with heat. Heat expansion is dependent on the material. Changes in length lead to tension within the installation. These tensions must be compensated for with suitable measures.

The following are effective:

- Fixed and gliding points
- Expansion equalisation joints (expansion bends)
- Compensators

### Heat expansion co-efficients of various pipe materials

Material	Heat expansion co-efficient $\alpha$ [mm/mK]	Example: Length expansion with pipe lengths $L = 20$ m and $\Delta T = 50$ K [mm]
Galvanised steel	0.0120	12.0



**Fig. 3: Length expansion steel pipes**

- 1 - Length expansion  $\vec{\Delta}l$  [mm]
- 2 - Pipe length  $\vec{l}_0$  [m]
- 3 - Temperature difference  $\vec{\Delta}\theta$  [K]

The length expansion  $\Delta l$  can be taken from the diagram or can be calculated using the following formula:

$$\Delta l = \alpha \text{ [mm/mK]} \times L \text{ [m]} \times \Delta\theta \text{ [K]}$$

### 2.3.3 Press connectors

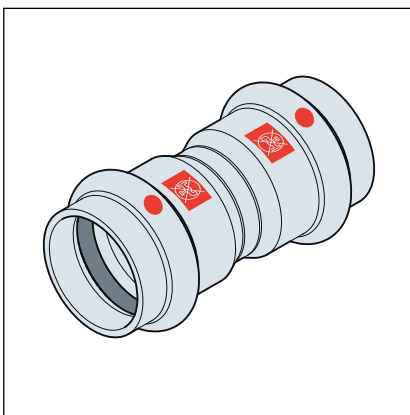


Fig. 4: Press connectors

The press connectors have a circumferential bead in which the sealing element lies. The press connector is deformed upstream and downstream of the bead and permanently connected to the pipe during pressing. The sealing element is not deformed during pressing.

#### SC-Contur

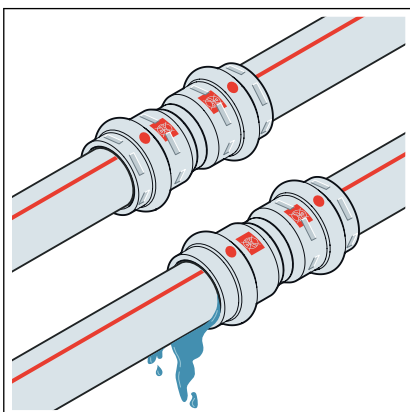


Fig. 5: SC-Contur

Viega press connectors are equipped with the SC-Contur. The SC-Contur is a safety technology that is certified by the DVGW and ensures that the press connector is guaranteed to be leaky in an unpressed state. In this way, inadvertently unpressed connections are noticed during a leakage test.

Viega guarantees that accidentally unpressed connections become visible during a leakage test:

- with the wet leakage test in the pressure range from 0.1–0.65 MPa (1.0–6.5 bar)
- with dry leakage test in the pressure range from 22 hPa–0.3 MPa (22 mbar–3.0 bar)

### 2.3.4 Sealing elements

The press connectors are factory-fitted with EPDM sealing elements. For areas of use with higher thermal resistance, such as e.g. in the case of district heat supply systems, the press connectors must be equipped with FKM sealing elements.

The sealing elements can be distinguished as follows:

- EPDM sealing elements are polished black.
- FKM sealing elements are matt black.

**Area of use of the EPDM sealing element**

Area of application	Heating	Solar installations	Cooling circuits	Compressed air	Technical gases
Use	Pump hot water heating system	Solar circuit	Secondary circuit closed	all pipeline sections	all pipeline sections
Operating temperature [T <sub>max.</sub> ]	95 °C	1)	≥ -25 °C	60 °C	—
Operating pressure [P <sub>max.</sub> ]	—	0.6 MPa (6 bar)	1.6 MPa (16 bar)	1.6 MPa (16 bar)	—
Comments	pursuant to the applicable regulations <sup>2)</sup> T <sub>max.</sub> : 105 °C with radiator connection T <sub>max.</sub> : 95 °C	for flat collectors	Inhibitor for water chiller, see material resistance	dry, oil content < 25 mg / m <sup>3</sup> <sup>3)</sup>	1) 3)

<sup>1)</sup> Consultation with Viega required

<sup>2)</sup> see ↗ 'Regulations from section: Sealing elements' on page 5

<sup>3)</sup> See also document "Areas of application for metal installation systems" on the Viega website

**Area of use of the FKM sealing element**

Area of application	District heat supply	Solar installations	Compressed air
Use	District heating supply systems in secondary circuits	Solar circuit	all pipeline sections
Operating temperature [T <sub>max.</sub> ]	140 °C	1)	60 °C
Operating pressure [P <sub>max.</sub> ]	1.6 MPa (16 bar)	0.6 MPa (6 bar)	1.6 MPa (16 bar)
Comments	To ensure that the system is installed according to the utility company's specifications, consult with the utility company before installation.	For vacuum pipe collectors <sup>2)</sup>	dry <sup>2)</sup>

<sup>1)</sup> Consultation with Viega required.

<sup>2)</sup> See also document "Areas of application for metal installation systems" on the Viega website



The sealing materials of the press connector system are subject to thermal ageing, which depends on the media temperature and the service life. The higher the media temperature, the faster the thermal ageing of the sealing material progresses. In the case of special operating conditions such as industrial heat recovery systems, it is necessary to compare the specifications of the equipment manufacturer with the specifications of the press connector system.

Before using the press connector system outside the described areas of application or if in doubt about the correct material selection, please contact Viega.

### 2.3.5 Markings on components

#### Pipe marking

Prestabo pipe, galvanised	Prestabo pipe, coated	Prestabo pipe for special applications
Red continuous line	Red continuous line	Red dotted line
Red writing	Red writing	Black writing

The pipe markings contain important information regarding the material configuration and manufacture of the pipes. The red line on the pipes serves as a warning: "Not suitable for potable water!".

The meaning of the marking is as follows:

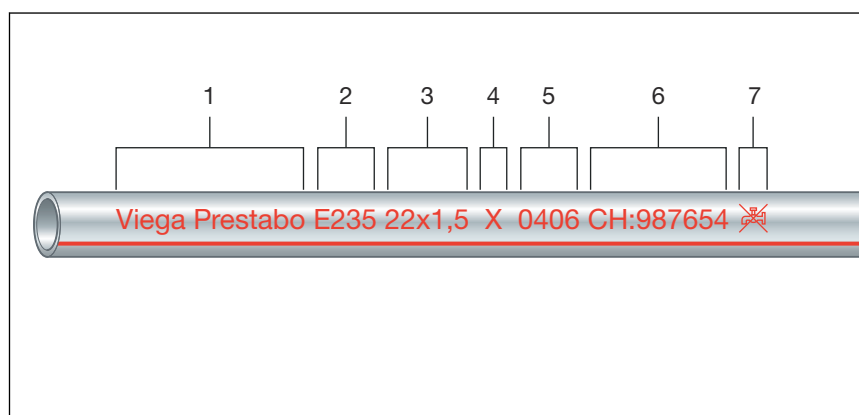
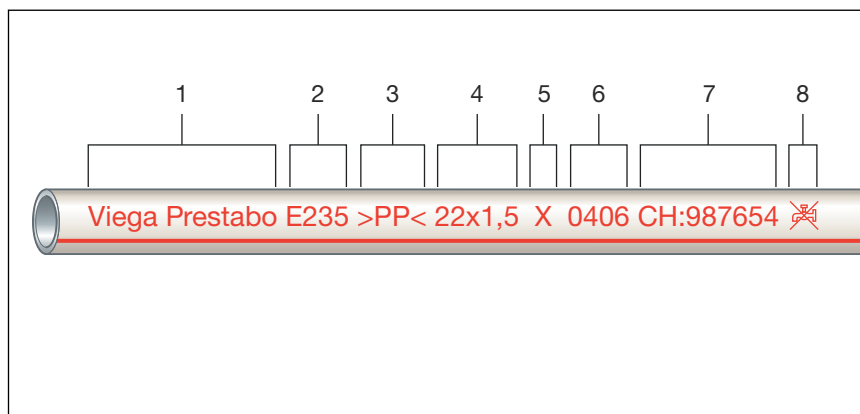


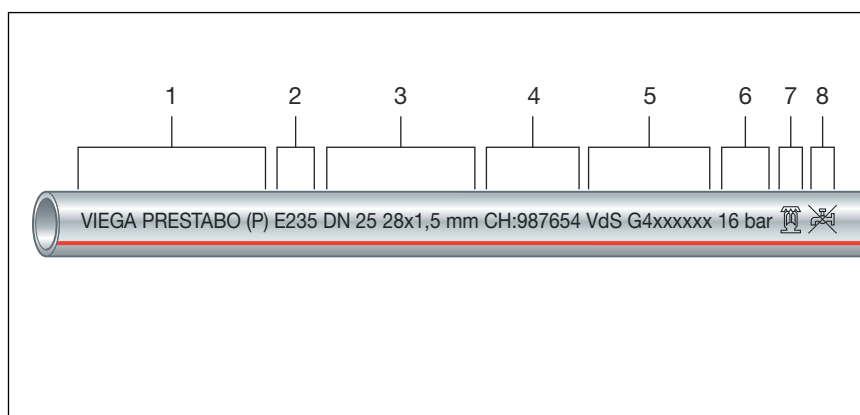
Fig. 6: Galvanised pipe

- 1 - System manufacturer / system name
- 2 - DIN material number
- 3 - d x s
- 4 - Pipe manufacturer's symbols
- 5 - Date of manufacture
- 6 - Batch number
- 7 - Symbol "Not suitable for potable water!"



**Fig. 7: Pipe PP coated**

- 1 - System manufacturer / system name
- 2 - DIN material number
- 3 - Coating material
- 4 - d x s
- 5 - Pipe manufacturer's symbols
- 6 - Date of manufacture
- 7 - Batch number
- 8 - Symbol "Not suitable for potable water!"



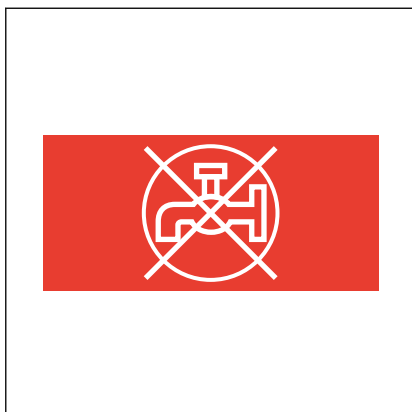
**Fig. 8: Pipe internally and externally hot dip galvanized**

- 1 - System manufacturer / system name
- 2 - DIN material number
- 3 - DN nominal pipe diameter and d x s
- 4 - Batch number
- 5 - Test symbol / number
- 6 - Pressure level
- 7 - Suitable for sprinklers
- 8 - Symbol "Not suitable for potable water!"

### Markings on press connectors

The press connectors are marked with a coloured dot. The dot identifies the SC-Contur where the test medium would escape in the case of an inadvertently unpressed connection.

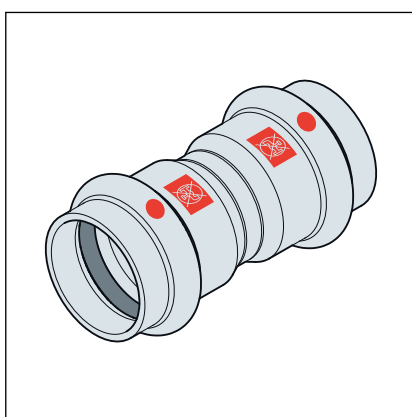
The red dot indicates that the system is not suitable for potable water and is equipped with the SC-Contur.



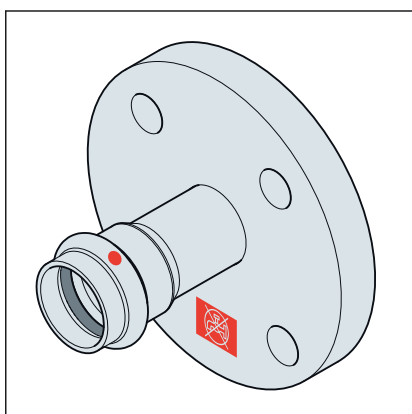
The red rectangle serves as a warning "Not suitable for potable water!".

The rectangle is to be found in the following places:

- On the press end of the press connector
- On the flange of the flange adapter



**Fig. 9: Marking "Not suitable for potable water!"**



**Fig. 10: Marking "Not suitable for potable water"**

## 2.4 Information for use

### 2.4.1 Corrosion

#### Internal corrosion (three-phase boundary)

Corrosion can occur in the area of the three-phase boundary – water/ material/air – in metallic materials. This corrosion can be prevented if the system remains completely full of water after its first filling and bleeding. If the installation is not to be commissioned immediately, carry out the pressure and leakage test using air or inert gases, see ↪ *Chapter 3.4.8 'Leakage test' on page 34.*



## Prestabo system in cooling water circuits

The Prestabo system, in combination with externally galvanised pipes, can be used with its moulded and connection pieces in all closed cooling water circuits in which no oxygenation is possible during operation.

Due to the operating conditions in cooling water systems, it may be necessary to add anti-freeze to the carrier medium. The standard sealing elements made of EPDM can be used up to a glycol content of 50 % of the total water content. Internally and externally hot dip galvanised Viega pipes are not suitable for use in this case.

The re-filling of a system does not normally lead to significant oxygenation, see ↪ *'Regulations from section: Corrosion'* on page 6. However, the oxygenation can lead to damage (corrosion) in the system, if the circulating water is regularly replaced due to losses and (e. g. automatic topping up) considerable quantities of fresh water were added.

The oxygen content of low salt water should be <0.1 mg/l, in the case of saline water, be <0.02 mg/l, see ↪ *'Regulations from section: Corrosion'* on page 6.

Complete external corrosion protection, which reliably prevents corrosive influences, must be applied when using in cooling circuits. Observe the manufacturer's product information and the pertinent guidelines, see ↪ *'Regulations from section: Corrosion'* on page 6.

## External corrosion

Prestabo pipes and the press connectors are protected by a thin galvanic zinc-plating coat. This galvanisation protects against moist surroundings, however not against external corrosion on a permanent basis. The system is intended for installation in warm and dry atmospheres. The components should not normally come into contact with water when properly installed and used as intended.

## Constant moisture on the pipe

Constant dampness on the pipe occurs due to the following conditions e.g.:

- due to condensation or precipitation during the construction phase
- Condensation (e. g. when used in cooling circuits)
- through cleaning or splash water as well as wastewater through defect floor seals etc.
- when water reaches the pipeline installation in a non-intended way, e.g. due to a construction defect or water damage in the building.

## Protective measures against external corrosion

The following measures should be observed to protect the Prestabo system from external corrosion:

- Lay the pipelines outside of the areas at risk of dampness.
- Avoid contact with corrosive building materials (e. g. filler or levelling screed).

- Use waterproof separating foil in the floor construction to protect the laid pipelines against possible dampness, e. g. screed dampness. The overlapping foil overlaps must be sealed tightly.
- Use closed-cell insulating hoses and seal properly. Take particular care to stick all of the abutting ends and cut edges together. However, the measures are no substitute for potentially necessary and additional corrosion protection.
- In the case of installations, e. g. in industrial areas, which are contaminated with aggressive ambient air, observe the internal factory standards.

### Corrosion due to cleaning water

In areas where daily cleaning of the floor is deemed necessary (e. g. in hospitals), corrosion can also be caused by water and cleaning agent coming into contact with visible radiator connection lines that protrude from the floor. The water can seep through leaky joints between pipeline and the floor covering into the insulation. It is unable to escape and this leads to constant dampness around the pipes, which leads to external corrosion.

Disinfectant can also have a corrosive effect on pipelines.

### Recommended measures to protect from corrosion due to cleaning water

- Favour radiator connections out of the wall.
- Use plastic coated Prestabo pipes for connections coming out of the floor.
- Seal joints between pipeline and floor covering properly. Silicone joints must be maintained regularly.

Viega recommends to use the PP coated Prestabo pipe (model 1104) for laying the Prestabo system in the floor area or for concealed installation. The press connectors and pipe ends must be treated with a corrosion prevention agent — e.g. Denso Densolen ET 100, to ensure constant protection against corrosion. The relevant processing guidelines must be observed, whilst doing so.

## 3 Handling



### NOTICE!

#### Risk of corrosion from damaged surfaces

The galvanised surfaces of the components must not be damaged (e. g. with pointed objects). Otherwise there is a risk of corrosion.

### 3.1 Transport

Observe the following when transporting pipes:

- Do not pull the pipes over the sill. The surface could be damaged.
- Secure pipes during transportation. Pipes may become bent due to shifting.
- Do not damage the protective caps on the pipe ends and do not remove them until immediately before mounting. Damaged pipe ends must not be pressed.

### 3.2 Storage

For storage, comply with the requirements specified in the applicable regulations, see ↗ *'Regulations from section: Storage' on page 6*:

- Store components in a clean and dry place.
- Provide ventilation.
- Do not store the components directly on the floor.
- Provide at least three points of support for the storage of pipes.
- Do not cover the pipes with foils, prevent the formation of condensation.
- Where possible, store different sizes separately.  
Store small sizes on top of larger sizes if separate storage is not possible.
- Store pipes of different materials separately to prevent contact corrosion.

### 3.3 Assembly information

#### 3.3.1 Mounting instructions

##### Checking system components

System components may, in some cases, have become damaged through transportation and storage.

- Check all parts.
- Replace damaged components.
- Do not repair damaged components.
- Contaminated components may not be installed.

### 3.3.2 Potential equalisation



#### **DANGER!** **Danger due to electrical current**

An electric shock can lead to burns and serious injury and even death.

Because all metallic piping systems conduct electricity, unintentional contact with a live part can lead to the whole piping system and components connected to it (e. g. radiators) becoming energised.

- Only allow electrical work to be carried out by qualified electricians.
- Always integrate the metal piping system into the potential equalisation.



It is the fitter of the electrical system who is responsible for ensuring that the potential equalisation is tested and secured.

### 3.3.3 Permitted exchange of sealing elements



#### **Important instruction**

With their material-specific qualities, sealing elements in press connectors are adapted for use with the corresponding media and/or the areas of use of the piping systems and are generally only certified for them.

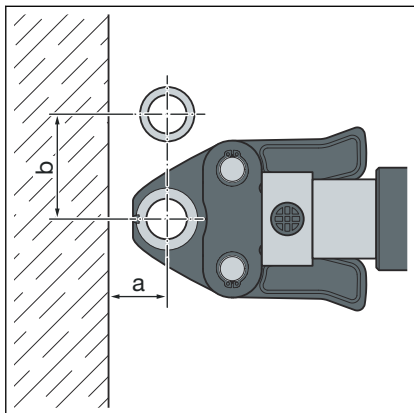
The exchange of a sealing element is generally permitted. The sealing element must be exchanged for a designated spare part for the intended application ↪ *Chapter 2.3.4 'Sealing elements' on page 12*. The use of other sealing elements is not permitted.

Exchanging a sealing element is permitted in the following situations:

- if the sealing element in the press connector is obviously damaged and should be exchanged for a Viega spare sealing element made of the same material
- if an EPDM sealing element should be exchanged for an FKM sealing element (higher thermal resistance, e.g. for industrial use)

### 3.3.4 Space requirements and intervals

#### Pressing between pipelines

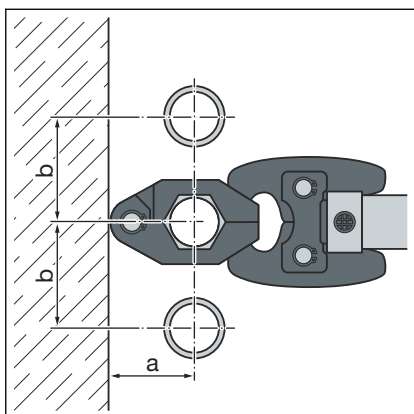


Space required PT1, Type 2 (PT2), PT3-EH, PT3-AH, Pressgun 4B, 4E, 5, 6, 6 Plus

d	12	15	18	22	28	35	42	54
a [mm]	20	20	20	25	25	30	45	50
b [mm]	50	50	55	60	70	85	100	115

Space requirement Picco, Pressgun Picco, Pressgun Picco 6, Pressgun Picco 6 Plus

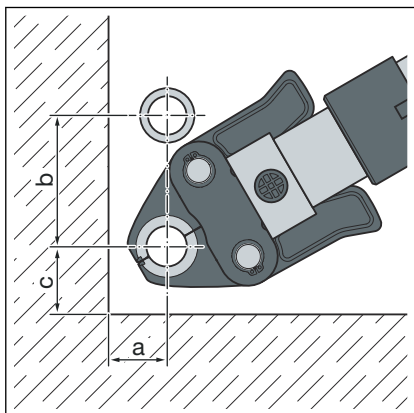
d	12	15	18	22	28	35
a [mm]	25	25	25	25	25	25
b [mm]	55	60	60	65	65	65



Space requirement press ring

d	12	15	18	22	28	35	42	54
a [mm]	40	40	45	45	50	55	60	65
b [mm]	45	50	55	60	70	75	85	90

#### Pressing between pipe and wall



Space required PT1, Type 2 (PT2), PT3-EH, PT3-AH, Pressgun 4B, 4E, 5, 6, 6 Plus

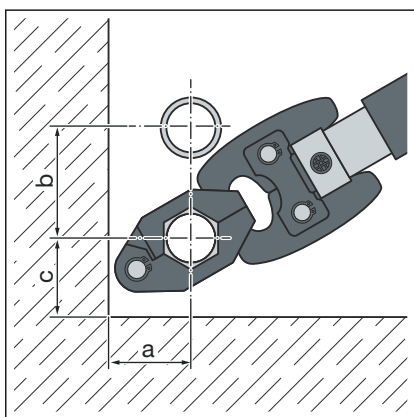
d	12	15	18	22	28	35	42	54
a [mm]	25	25	25	30	30	50	50	55
b [mm]	65	65	75	80	85	95	115	140
c [mm]	40	40	40	40	50	50	70	80

**Space required PT1, Type 2 (PT2), PT3-EH, PT3-AH, Pressgun 4B, 4E, 5, 6, 6 Plus**

d	15	18
a [mm]	25	25
b [mm]	65	75
c [mm]	40	40

**Space requirement Picco, Pressgun Picco, Pressgun Picco 6, Pressgun Picco 6 Plus**

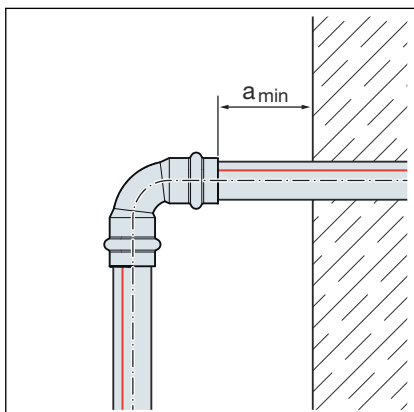
d	12	15	18	22	28	35
a [mm]	30	30	30	30	30	30
b [mm]	70	70	70	75	80	80
c [mm]	40	40	40	40	40	40



**Space requirement press ring**

d	12	15	18	22	28	35	42	54
a [mm]	40	40	45	45	50	55	60	65
b [mm]	45	50	55	60	70	75	85	90
c [mm]	35	35	40	40	45	50	55	65

**Wall distance**



**Minimum distance with d 12-54**

Press machine	a <sub>min</sub> [mm]
PT1	45
Type 2 (PT2)	50
Type PT3-EH	
Type PT3-AH	
Pressgun 4E / 4B	
Pressgun 5	
Pressgun 6 / 6 Plus	35
Picco / Pressgun Picco	
Pressgun Picco 6 / Pressgun Picco 6 Plus	

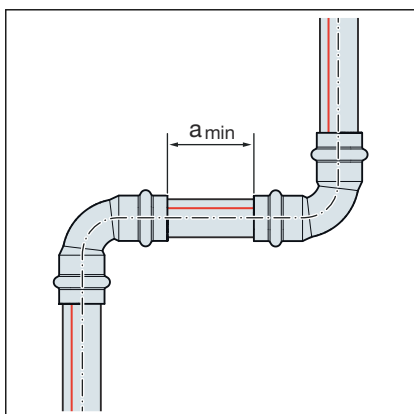
### Interval between the pressings



#### **NOTICE!** Leaking press connections due to pipes being too short!

If two press connectors are to be mounted onto a pipe without an interval, the pipe must not be too short. If the pipe is not inserted up to the prescribed insertion depth in the press connector during pressing, the connection may become leaky.

With pipes with a diameter of  $d$  12–28, the length of the pipe must be at least as long as the total insertion depth of both press connectors.



#### Minimum distance with press jaws $d$ 12–54

$d$	$a_{min}$ [mm]
12	0
15	0
18	0
22	0
28	0
35	10
42	15
54	25

### Z dimensions

For the Z dimensions, refer to the respective product page in the online catalogue.

### 3.3.5 Required tools

The following tools are required for production of a press connection:

- Pipe cutter or a fine-toothed hacksaw
- Deburrer and coloured pen for marking
- Press machine with constant pressing force
- Press jaw or press ring with corresponding hinged adapter jaw, suitable for the pipe diameter and with suitable profile
- For coated pipes:  
Chamfer (recommended model 1158)

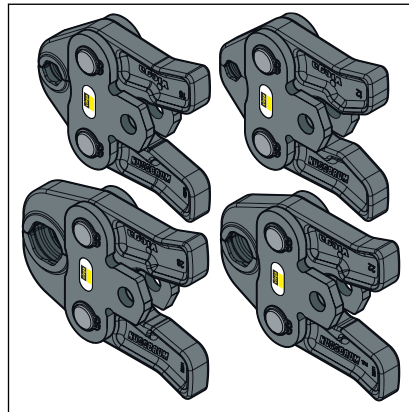


Fig. 11: Press jaws



**Viega recommends the use of Viega system tools when installing the press fittings.**

The Viega system press tools have been developed and tailored specifically for the installation of Viega press connector systems.

## 3.4 Assembly

### 3.4.1 Replacing the sealing element

#### Removing the sealing element



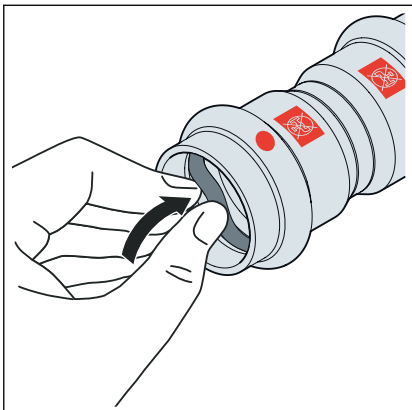
Do not use pointed or sharp-edged objects to remove the sealing element. They may damage the sealing element or the bead.



- Remove the sealing element from the bead.

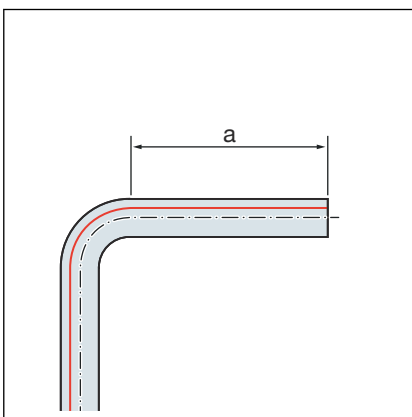


### Inserting the sealing element



- Insert a new, undamaged sealing element into the bead.
- Ensure that the complete sealing element is in the bead.

### 3.4.2 Bending pipes



Blank Prestabo pipes in the sizes d 12, 15, 18, 22 and 28 can be bent cold with commercially available bending equipment (radius at least  $3.5 \times d$ ).



If possible do not bend coated Prestabo pipes because no suitable bending tool is available.

The pipe ends (a) must be at least 50 mm long so that the press connectors can be mounted properly.

### 3.4.3 Shortening the pipes



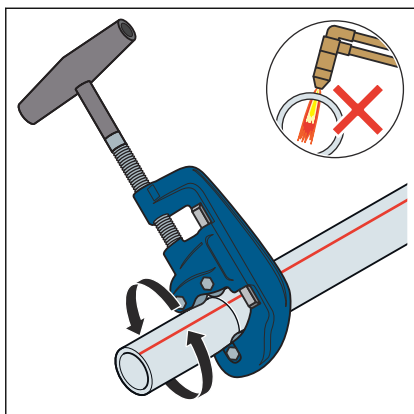
#### **NOTICE!** **Leaking press connections due to damaged material!**

Press connections can become leaky due to damaged pipes or sealing elements.

Observe the following instructions to avoid damage to pipes and sealing elements:

- Do not use cutting discs (angle grinders) or flame cutters when cutting to length.
- When cutting coated pipes to length, do not use pipe cutters, use a fine-toothed saw.
- Do not use grease or oils (e. g. cutting oil).

For information about tools, also see [Chapter 3.3.5 'Required tools'](#) on page 23.



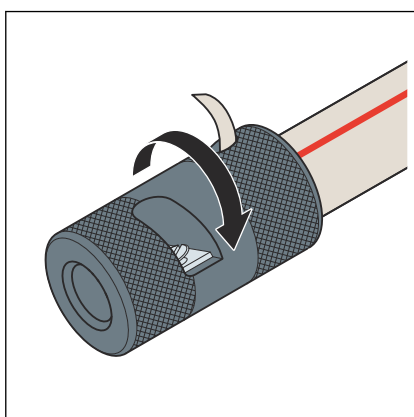
- Cut the pipe at a right angle as accurately as possible using a pipe cutter or a fine-toothed hacksaw to ensure a complete and even pipe insertion depth.

Avoid grooves on the pipe surface.

### 3.4.4 Stripping pipes

When dealing with coated pipes, the plastic coating must be removed from the area around the press connections by means of a chamfer (model 1158).

The use of other chamfer tools is not permitted.



- Remove coating from the pipe end using a chamfer.

- ◇ The length of the stripped pipe end corresponds to the insertion depth of the press connector.



Do not sharpen the blades of the chamfer, replace the blades.

### 3.4.5 Deburring the pipes

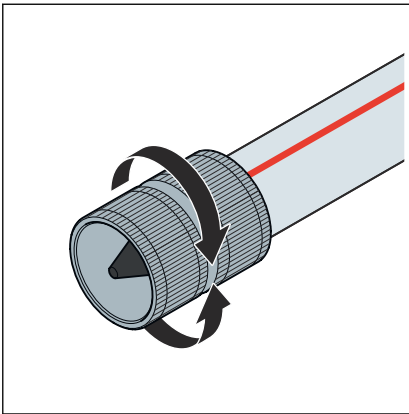
The pipe ends must be thoroughly deburred internally and externally after shortening.

Deburring prevents the sealing element being damaged or the that the press connector cants when mounted. Viega recommends using a deburrer (model 2292.2).



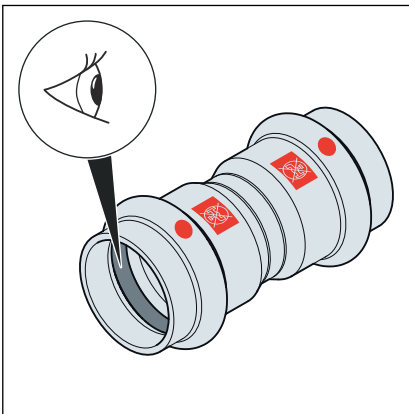
#### **NOTICE!** **Damage due to the wrong tool!**

Do not use sanding disks or similar tools when deburring. The pipes could be damaged by these.



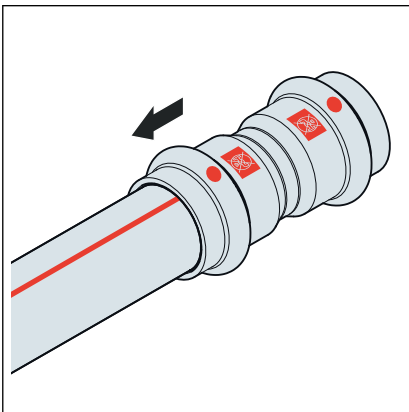
- Deburr the inside and outside of the pipe.

### 3.4.6 Pressing the connection

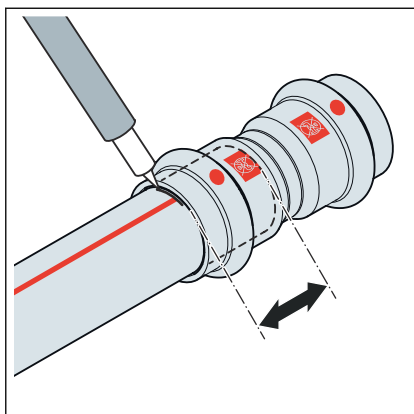


Requirements:

- The pipe end is not bent or damaged.
- The pipe is deburred.
- The correct sealing element is in the press connector.  
EPDM = polished black  
FKM = matt black
- The sealing element is undamaged.
- The complete sealing element is in the bead.

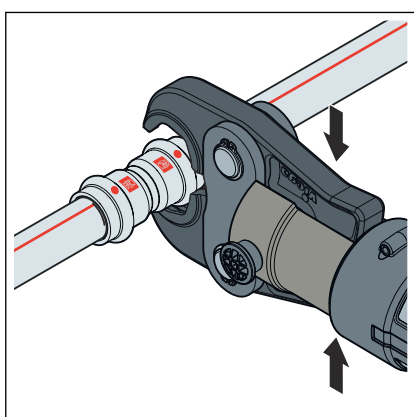


- Push the press connector onto the pipe as far as it will go.

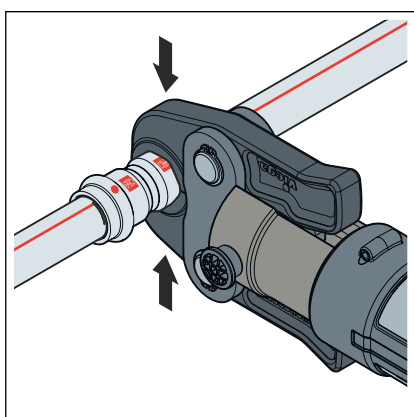


- Mark the insertion depth.
- Place the press jaw onto the press machine and push the retaining bolt in until it clicks into place.

**INFO! Observe the press tool instruction manual.**



- Open the press jaw and place it at a right-angle onto the press connector.
- Check the insertion depth using the marking.
- Ensure that the press jaw is placed centrally on the bead of the press connector.



- Carry out the pressing process.
- Open and remove the press jaw.
  - ◻ Connection is pressed.

### 3.4.7 Flange connections

In the press connector system shown, flange connections in sizes 35 to 54 mm are possible.

The assembly of flange connections may only be carried out by qualified personnel. Personnel can be qualified to assemble flange connections on the basis of applicable directives, for example; see [☞ 'Regulations from section: Establishing a flange connection'](#) on page 6.

- A corresponding training section on proper flange connection assembly in vocational training (of staff/specialist personnel) with qualified completion as well as successful regular application are considered as sufficient proof.
- Other employees without the appropriate technical training (e.g. operating personnel) who are to install flange connections must be provided with technical knowledge through training measures (theoretical and practical); this must be documented.

### washers

The advantages of using hardened washers are:

- Defined friction surface during assembly.
- Defined unevenness in calculation and thus reduction of the scattering of the tightening torque, whereby a greater hexagon screw force can be achieved mathematically.

### Flange types

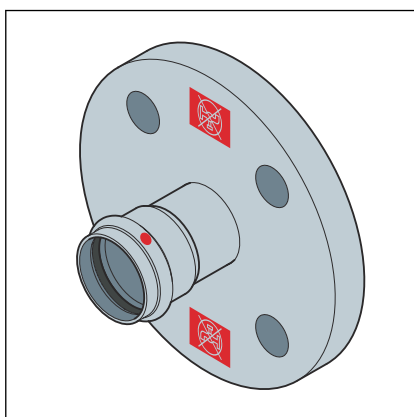


Fig. 12: Fixed flange

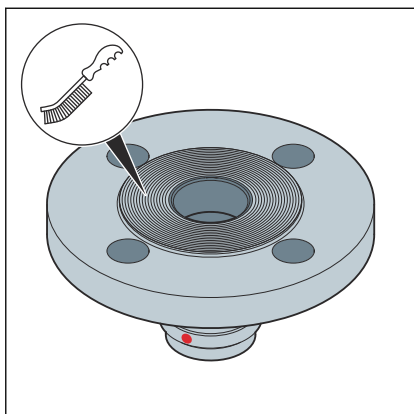
#### Fixed flange

- Steel, galvanised, non-alloyed
- Press connection made of unalloyed steel, galvanised
- Model 1159: 35 to 54 mm (PN10/16)
- Model 1159.1: 35 to 54 mm (PN6)

### Establishing a flange connection



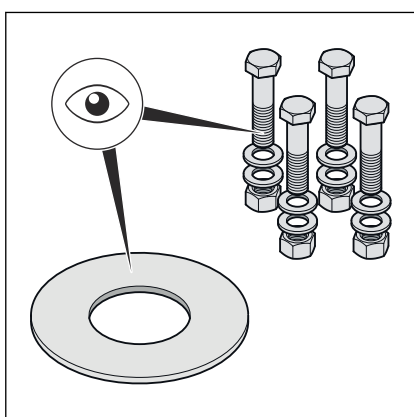
Always make the flange connection first and then the press connection.



- If necessary, remove any temporary coatings on the flange sealing surfaces without leaving any residue before assembly, using cleaning agents and a suitable wire brush.

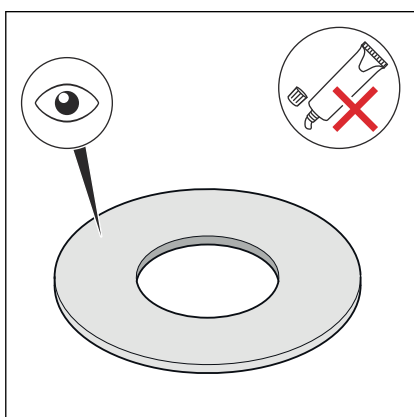
**NOTICE!** When replacing seals, make sure to remove the old seal completely from the flange sealing surface without damaging the flange sealing surface.

- Ensure that the flange sealing surfaces are clean, undamaged and even. In particular, there must not be any radial surface damage such as grooves or impact marks.



- The hexagon screws, nuts and washers must be clean and undamaged and comply with the specifications for minimum hexagon screw length and strength class, see ⚡ **'Required tightening torques'** on page 33.

- During disassembly, replace removed hexagon screws, nuts and washers with new ones if damaged.

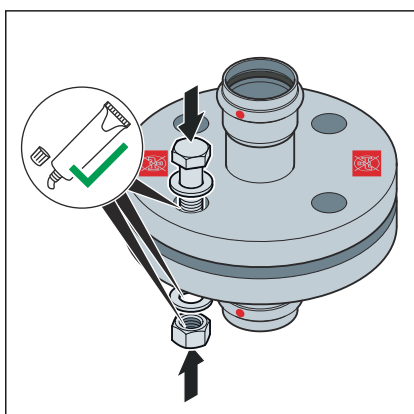


- The seal must be clean, undamaged and dry. Do not use adhesives and assembly pastes for seals.

- Do not reuse used seals.

- Do not use seals with kinks as they pose a safety risk.

- Ensure that seals are free from faults and defects and that the manufacturer's specifications are complied with.

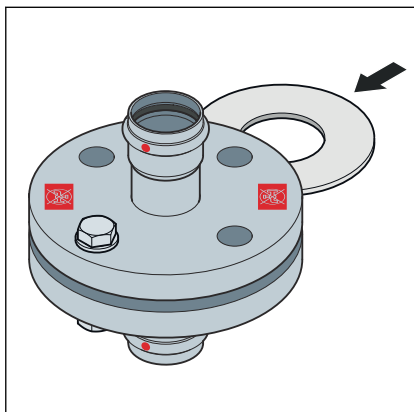


- Lubricate the following flange elements with suitable lubricant:

- Hexagon screw thread
- Washer
- Nut support

**NOTICE!** Observe the manufacturer's information on the application and temperature range of the lubricant.

### Install and centre the sealing element

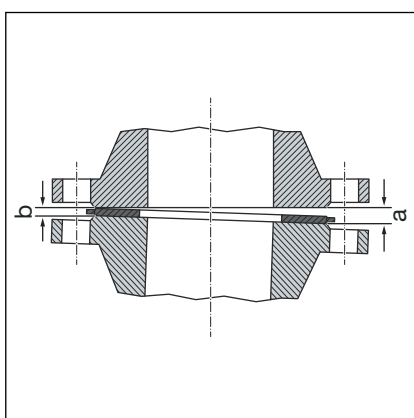


The correct assembly of flange connections requires parallel aligned flange blades without an offset centre that allow the sealing element to be inserted in the correct position without damage.

- Press the sealing surfaces far enough apart so that the seal can be inserted without force and without damage.

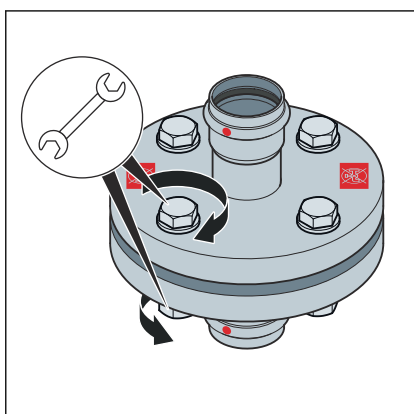
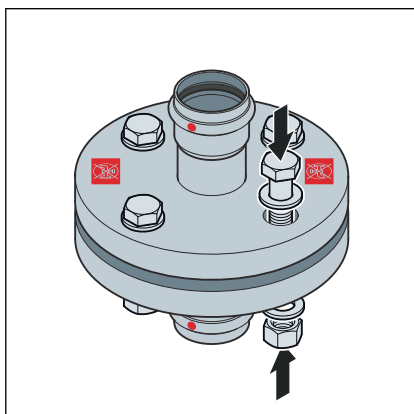
The gap (out-of-parallelism of the sealing surfaces) before tightening the hexagon screws is not critical if the permissible gap is not exceeded.

DN	Permissible gap a-b [mm]
32–50	0.6

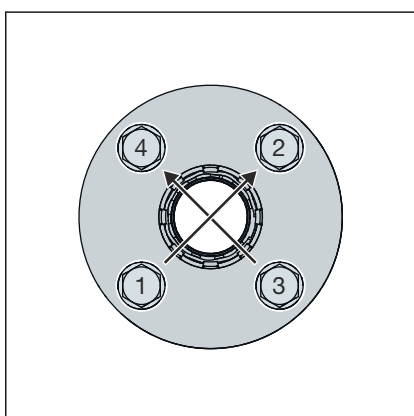


- Remove the gap from the gaping side (a).
- In case of doubt, tighten the flanges without inserting a seal by tightening the hexagon screws to achieve parallelism and a sealing surface distance of approx. 10 % of the nominal torque.
  - ⊞ The gap is not permissible if the flange position cannot be achieved without great effort.

## Systematics for tightening hexagon screws



## Suit order



- The order in which the hexagon screws and nuts are tightened has a significant influence on the force distribution acting on the seal (surface pressure). Incorrect tightening leads to a high dispersion of the pretensioning forces and can result in the required minimum surface pressure not being reached and even in leaks.
- After tightening the nut, at least two but no more than five threads should protrude from the end of the hexagon screw.
- Prepare the hexagon screws by hand, observing the following:
  - Install the hexagon screws so that all the hexagon screw heads are on one flange side.
  - For horizontally arranged flanges, insert the hexagon screws from above.
  - Replace stiff hexagon screws with easy-running ones.
- The simultaneous use of several tightening tools is possible.
- Tighten all hexagon screws crosswise with 30 % of the nominal tightening torque.
- Tighten all hexagon screws as described in step 1 with 60 % of the nominal tightening torque.
- Tighten all hexagon screws as described in step 1 with 100 % of the nominal tightening torque.
- Tighten all hexagon screws again with the full nominal tightening torque. Repeat this process until the nuts can no longer be turned when the full tightening torque is applied.



## Required tightening torques

### Tightening torques for Prestabo flange adapters PN 6

Model	DN	Article number	Thread	Min. required tightening torque [Nm]	Max. permissible tightening torque [Nm]	Hexagon screw length (mm)	Strength class
1159.1	32	642 389 <sup>1</sup>	M12	23	82	50	8.8
	40	642 396 <sup>1</sup>		25			
	50	642 402 <sup>1</sup>		28			

The specifications for meeting the requirements of tightness class L0,01 (TA Luft) were calculated according to the applicable standard and apply exclusively when using Viega articles, see also ↪ *'Regulations from section: Establishing a flange connection'* on page 6.

<sup>1</sup> For use with mounting set article number 651251

### Tightening torques for Prestabo flange adapters PN 10/16

Model	DN	Article number	Thread	Min. required tightening torque [Nm]	Max. permissible tightening torque [Nm]	Hexagon screw length (mm)	Strength class
1159	32	643 546 <sup>1</sup>	M16	69	202	70	8.8
	40	643 553 <sup>1</sup>		77			
	50	643 560 <sup>1</sup>		87			

The specifications for meeting the requirements of tightness class L0,01 (TA Luft) were calculated according to the applicable standard and apply exclusively when using Viega articles, see also ↪ *'Regulations from section: Establishing a flange connection'* on page 6.

<sup>1</sup> For use with mounting set article number 494063

## Disconnecting the flange adapter

Before starting to disassemble an existing flange connection, get approval and a work permit from the responsible company, if necessary, observing the following:

- The system section must be depressurised and completely flushed.
- Secure built-in or attached parts that are not held separately before loosening the flange connection. This also applies to fastening systems such as spring hangers and supports.
- Start loosening hexagon screws or nuts on the side facing away from the body, loosen the remaining hexagon screws slightly and only disassemble completely when you have ensured that the piping system does not present a risk. If a pipeline is under tension, there is a risk of the pipeline rupturing.
- Loosen the hexagon screws or nuts crosswise in at least two passes.
- Close open ends of strands with dummy plugs.
- Transport disassembled pipelines only in closed condition.
- When replacing seals, make sure to remove the old seal completely from the flange sealing surface without damaging the flange sealing surface.



### **NOTICE!** **Caution when using an angle grinder!**

When loosening defective hexagon screws and nuts with the help of an angle grinder, sparks are produced that can burn into the pipe material and cause corrosion.

## 3.4.8 Leakage test

The installer must perform a leakage test before commissioning.

Carry out this test on a system that is finished but not covered yet.

Observe the applicable regulations, see ↗ *'Regulations from section: Leakage test'* on page 6.

The leakage test pursuant to the applicable regulations must also be carried out for non-potable water installations, see ↗ *'Regulations from section: Leakage test'* on page 6.

Document the result.



To prevent corrosion after the leakage test has been performed with water, the system must remain full.

For the filling and top-up water, comply with the requirements specified in the applicable regulations, see ↗ *'Regulations from section: Leakage test'* on page 6.

## 3.5 Disposal

Separate the product and packaging materials (e. g. paper, metal, plastic or non-ferrous metals) and dispose of in accordance with valid national legal requirements.



**Viega GmbH & Co. KG**  
service-technik@viega.de  
viega.com

INT • 2023-04 • VPN230147

